

- reduces the measurement error
- the Pt100 (100Ω at 0°C) 1/3DIN wire wound sensor is accurate and stable over time and can be extracted for periodical calibration
- the support structure of the sensor has a low thermal conductivity
- the electric motor power is 12Vdc, 35mA maximum current
- the construction of the screen is UV resistant Luran S777K plastic
- support of the probe is provided for the installation on weather stations poles

Features

- intake by electric motor
- suction flow: 422 l / min, 35Pa
- power: 12Vdc - 25mA nominal
- expected life time: 12,000 hours (MTTF)
- working temperature: -20...+65°C
- dimensions: 270mm diameter, 245mm overall height
- M12 male connector for probe connection
- support rod: diam.16mm, length 580mm, complete with bracket on pole diameter 25 ÷ 44mm maximum
- cable: 8-wire (Pt100 sensor + power). Cable CPM12AA8 ... on request 2 meters, 5 meters, 10 meters.

PURCHASING CODES

HD 9006: Aspirated air temperature sensor with radiation shield. Power 12Vdc, 35mA max, length 580mm.

CPM12.AA8.2: 8-pin cable for Pt100 sensor and motor. 8 pin female connector on one end and open wires on the other side. Length 2 meters.

CPM12.AA8.5: 8-pin cable for Pt100 sensor and motor. 8 pin female connector on one end and open wires on the other side . Length 5 meters.

CPM12.AA8.10: 8-pin cable for Pt100 sensor and motor. 8 pin female connector on one end and open wires on the other side. 10 m.

HD 9006.14: Flange to install the HD 9006 aspirated air temperature probe to the 40 ÷ 50 mm diameter mast.

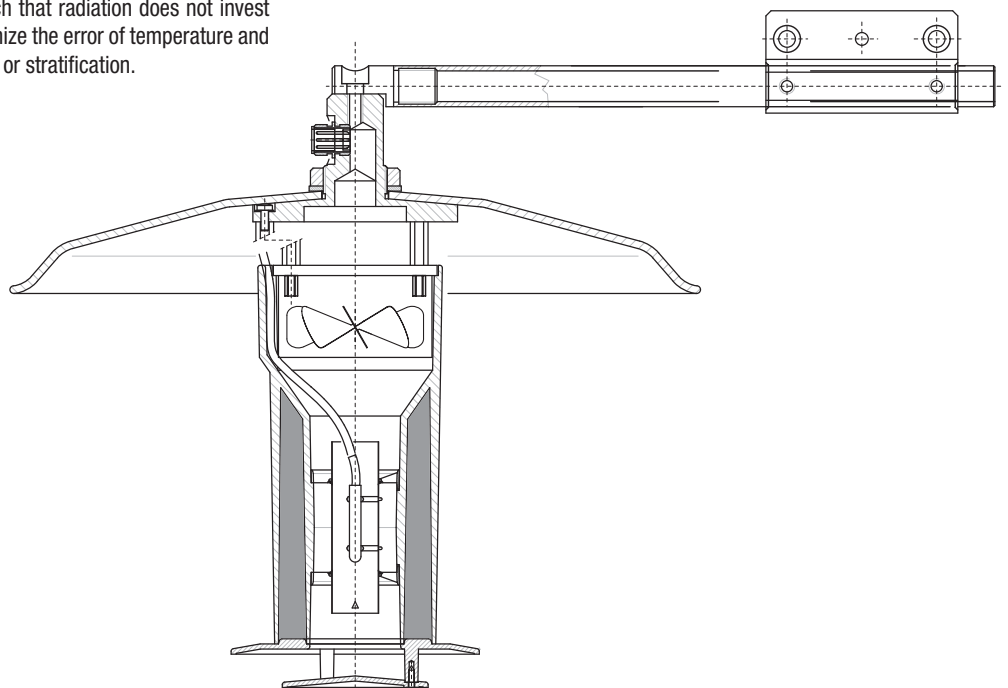


HD 9006 ASPIRATED AIR TEMPERATURE PROBE WITH PROTECTION SCREEN

Temperature measurement in air is also influenced by temperature as well as light and terrestrial radiation. An appropriate screen and air intake with an electric motor detects the air temperature without the measure is influenced by solar radiation and terrestrial heat by the convection of the screen.

The position of the sensor inside the screen is such that radiation does not invest the sensor. The screen is constructed so as to minimize the error of temperature and convective air flow is such as to prevent stagnation or stratification.

The advantages of the radiation shield:



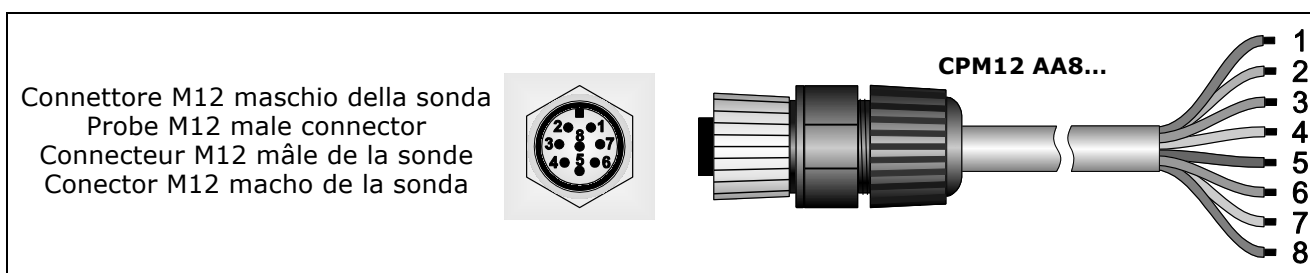
HD9006

Sonda di temperatura ad aria aspirata – Connessioni

Aspirated air temperature probe - Connections

Sonde de température à air aspiré – Connexions

Sonda de temperatura de aire aspirado – Conexiones



Connettore - Connector Connecteur - Conector	Funzione - Function Fonction - Función	Colore - Color Couleur - Color
1	Negativo alimentazione ventola Fan power supply negative Négatif alimentation hélice Negativo fuente de alimentación ventilador	Grigio Grey Gris Gris
2	Positivo alimentazione ventola Fan power supply positive Positif alimentation hélice Positivo fuente de alimentación ventilador	Rosso Red Rouge Rojo
3	Pt100_A	Nero - Black Noir - Negro
4	Pt100_B	Bianco - White Blanc - Blanco
5	Pt100_C	Marrone - Brown Marron - Marrón
6		
7		
8	Pt100_D	Verde - Green Verte - Verde

