

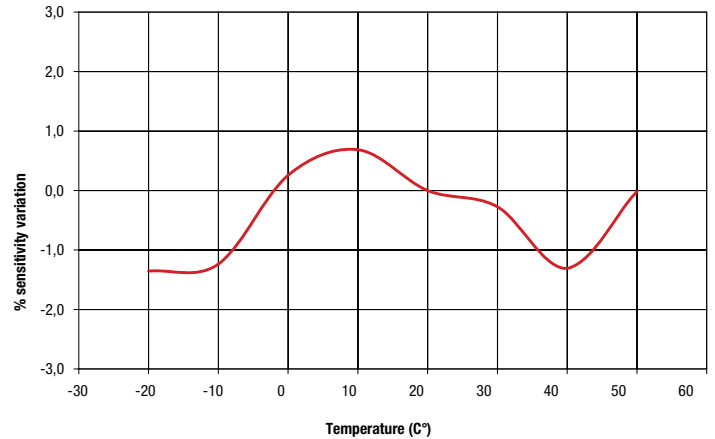


less than 6 seconds, where ISO9060 standard requires a response time less than 15 seconds).

Radiant energy is absorbed/radiated from the surface of the blackened thermopile, creating a temperature difference between the centre of the thermopile (hot junction) and the body of pyranometer (cold junction). The temperature difference between hot and cold junction is converted into Potential Difference thanks to the Seebeck effect.

A second thermopile is mounted inside the instrument and not accessible by light. This second thermopile, connected anti-series with respect to the sensor exposed to light, reduces the signals of the pyranometers caused by sudden temperature changes (thermal shock).

In order to minimize variations of sensitivity according to the temperature, the LP PYRA 10 and LP PYRA 13 are equipped with a passive compensation circuit. The graph 1 shows the typical variation of sensitivity at different temperatures.



Graph 1: % change of the sensitivity of the pyranometer LP PYRA 10 - LP PYRA 13 compared to the sensitivity at 20°C in the temperature range between -20 and 50°C.

The deviations are calculated from the measured sensitivity at 20°C.

LP PYRA 10 and LP PYRA 13 have two concentric domes with external diameter of 50mm and 30mm respectively, this to ensure a thermal insulation of the thermopile by the wind and reduce the sensitivity to radiation heat. The domes protect the thermopile from dust settling on the blackened surface, which could affect the spectral sensitivity.

**LP PYRA 10 - LP PYRA 13
PYRANOMETER**

The pyranometers LP PYRA 10 and LP PYRA 13 measure the irradiance on a flat surface (Watt/m²). The radiation measured is the sum of direct solar irradiance and diffuse irradiance (global radiation). LP PYRA 13 is equipped with an adjustable shadow ring for the measurement of diffuse radiation only.

LP PYRA 10 and LP PYRA 13 are pyranometers classified as "Secondary Standards" in accordance with ISO 9060 and according to the publication "Guide to Meteorological Instruments and Methods of Observation", fifth edition (1983) of WMO

The pyranometers are available in five versions:

- LP PYRA 10 PASSIVE
- LP PYRA 10 AC ACTIVE with 4..20mA CURRENT output
- LP PYRA 10 AV ACTIVE with 0..1V, 0..5V, 0..10V VOLTAGE output, to specify at the time of ordering
- LP PYRA 10 S with serial RS485 MODBUS-RTU protocol output
- LP PYRA 10 S12 with SDI-12 output

- LP PYRA 13 PASSIVE
- LP PYRA 13 AC ACTIVE with 4..20mA CURRENT output
- LP PYRA 13 AV ACTIVE with 0..1V, 0..5V, 0..10V VOLTAGE output, to specify at the time of ordering
- LP PYRA 13 S with serial RS485 MODBUS-RTU protocol output
- LP PYRA 13 S12 with SDI-12 output

Working principle

The pyranometers LP PYRA 10 and LP PYRA 13 are based on a thermopile sensor which surface is covered by a matt black paint so to allow the instrument not to be selective at various wavelengths. The spectral range of the pyranometers is determined by the transmission of the two glass domes. The new sensor allows a response time less than the requirements of the ISO9060 standard for classification of Secondary Standard pyranometers (response time is generally

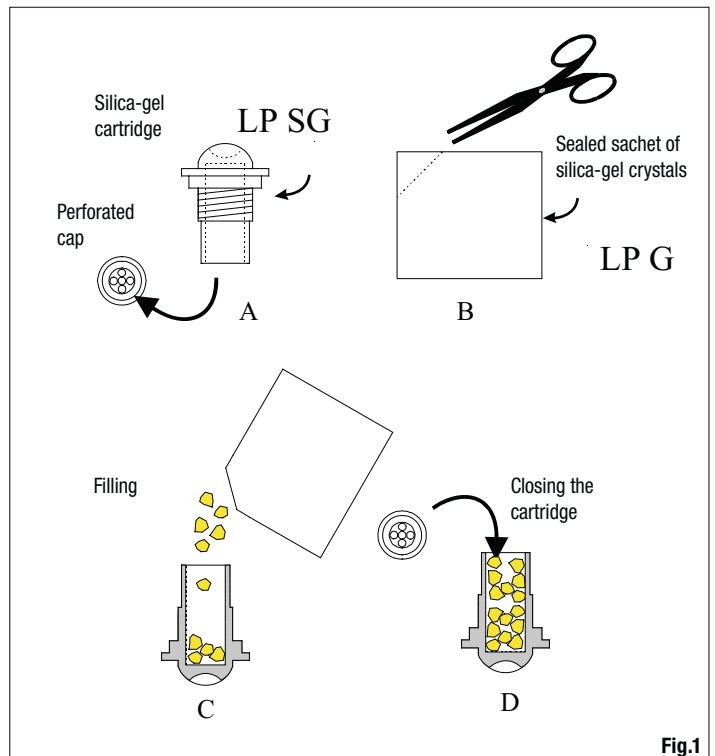


Fig.1

Installation and mounting of the pyranometers to measure global radiation:

Before installing the pyranometers you need to load the cartridge containing silica gel crystals. The silica gel has the function of absorbing the humidity in the dome chamber, which can lead to condensation on the inside of the dome walls, thus altering the measure. While loading silica gel crystals, avoid touching it with wet hands. The operations to perform (as much as possible) in a dry place are:

- 1 unscrew the three screws that fix the white screen
- 2 unscrew the Silica gel cartridge by using a coin
- 3 remove cartridge perforated cap
- 4 open the envelope (included with the pyranometer) containing the silica gel
- 5 fill the cartridge with silica-gel crystals
- 6 close the cartridge with his cap, making sure that the O-ring seal is positioned correctly
- 7 screw the cartridge into the body of the pyranometer with a coin
- 8 make sure that the cartridge is firmly screwed (if not the duration of the crystals of silica gel is reduced)
- 9 place the screen and screw it
- 10 the pyranometer is ready to use

Figure 1 briefly describes the operations necessary for loading the cartridge with silica-gel crystals.

- The LP PYRA 10 and LP PYRA 13 have to be installed in a location easily accessible for periodic cleaning of the silicon window. At the same time you should avoid buildings, trees or obstacles of any kind exceed the horizontal plane on which the pyranometer lies. In case this is not possible it is advisable

to choose a location where the obstacles are lower than 5°.

N.B. the presence of obstructions on the horizontal line significantly affects the measurements of direct irradiance.

- The pyranometer should be located far from any kind of obstacle that can project the reflection of the sun (or shadow) on the same pyranometer.
- When the pyranometer is used without the white screen should be positioned so that the cable comes out from the North pole side if you use it in the NORTH hemisphere, and from the SOUTHERN pole side if you use it in the SOUTH hemisphere, according to the ISO TR9901 standard and other WMO recommendations. In any case, it is preferable to comply with WMO/ISO recommendations also when the screen is used.
- For an accurate horizontal positioning, the pyranometer LP PYRA 10 and LP PYRA 13 are equipped with a spirit level, which adjustment is by two screws with lock nut that allows changing the pyranometer inclination. The fixing on a flat base can be performed by using two 6mm diam. holes and 65 mm wheelbase. In order to access the holes, remove the screen and re-place it back after mounting, see figure 2.
- In order to facilitate the installation of the pyranometer, Delta Ohm provides on request a range of accessories illustrated in Figure 3. The installer must take care that the height of the mast does not exceed the floor of the pyranometer, not to introduce measurement errors caused by reflections and shadows caused by the pole.
- It is better to insulate the pyranometer from its support, while ensuring that there is a good electrical contact to earth.

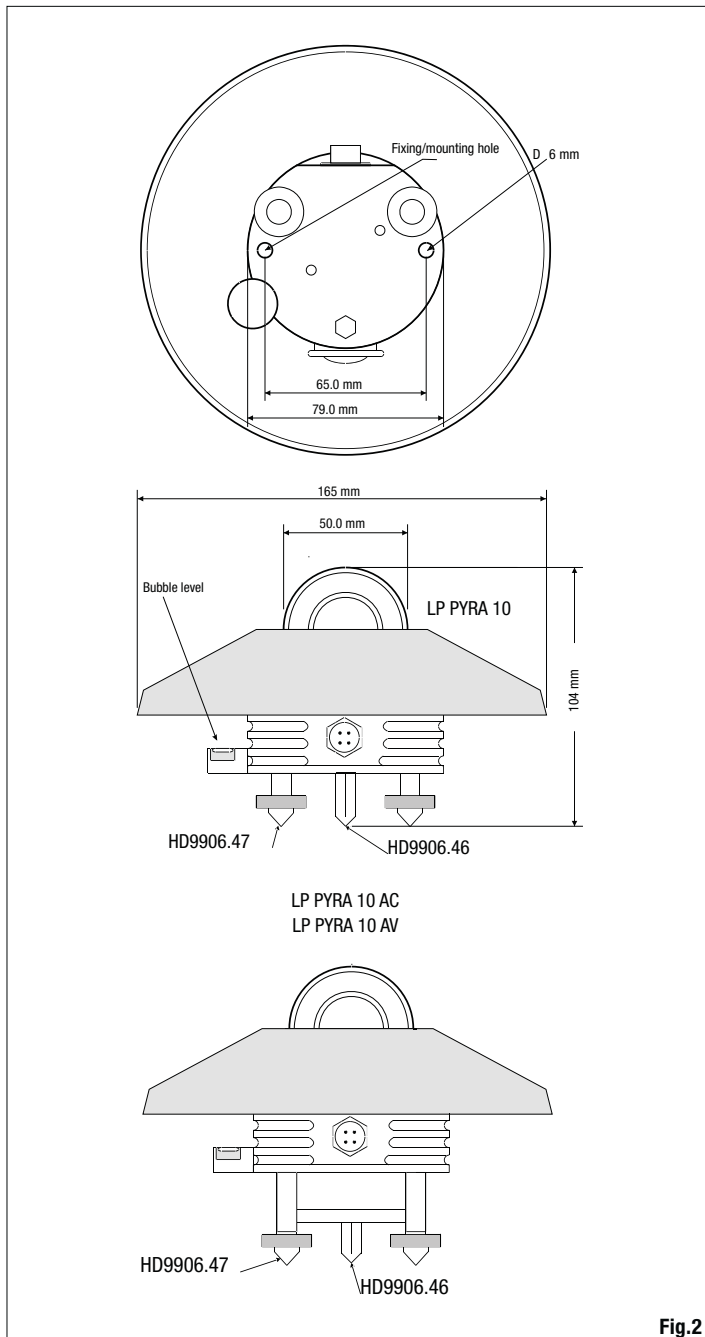


Fig.2

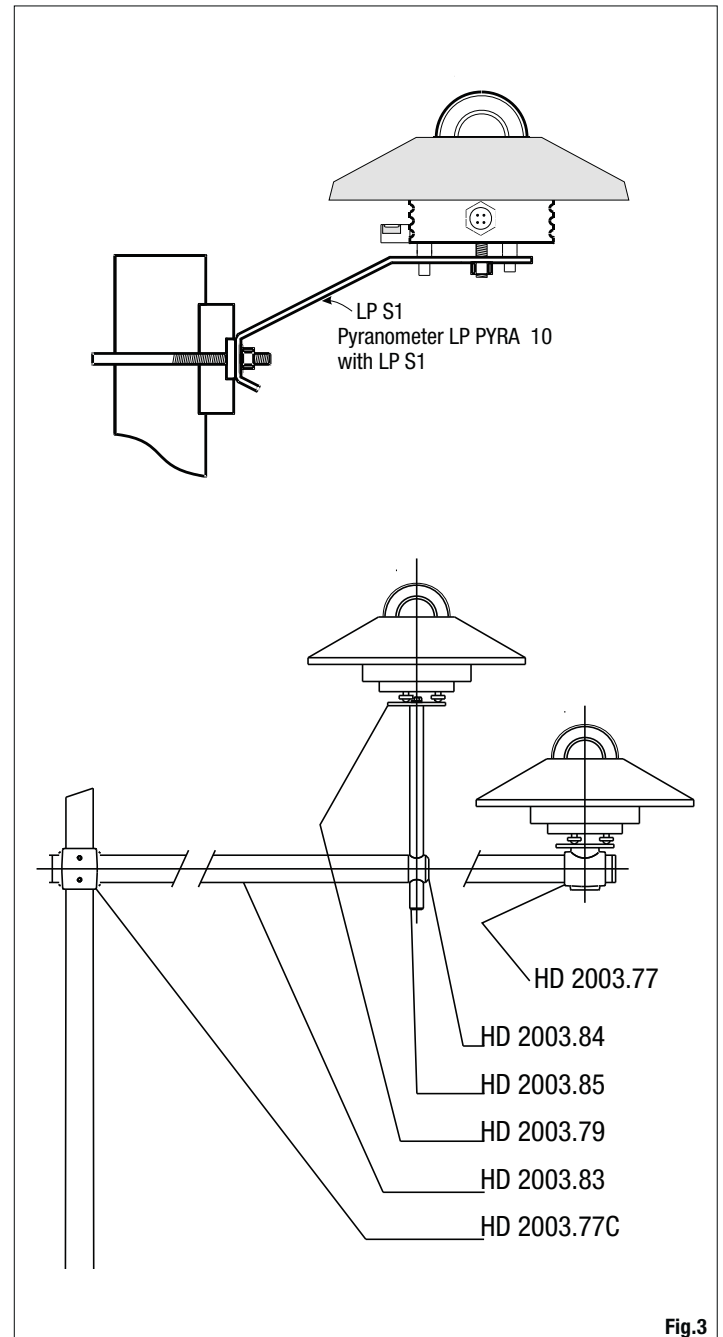


Fig.3

Electrical Connections and Requirements for Electronic reading:

LP PYRA 10 and LP PYRA 13 are produced in five versions:

LP PYRA 10, LP PYRA 10 AC, LP PYRA 10 AV, LP PYRA 10 S and LP PYRA 10 S12
 LP PYRA 13, LP PYRA 13 AC, LP PYRA 13 AV, LP PYRA 13 S and LP PYRA 13 S12

- LP PYRA 10 and LP PYRA 13 are passive and do not need power.
- Versions LP PYRA 10 AC, AV, S and LP PYRA 13 AC, AV, S are active and need power.

The voltage required is:

10-30 Vdc for the versions AC and AV with 0..1V and 0..5 V output.

15-30 Vdc for the version AV with 0..10V output.

5-30 Vdc for the version LP PYRA 10 S and LP PYRA 13 S with RS485 output

- All versions are equipped with 4-pin output connector (8-pole the S and S12 versions).
- The (optional) cable, with M12 connector is made in PTFE resistant to UV and is provided with 3 wires plus braid (screen), (4 wires plus braid in the S and S12 versions).

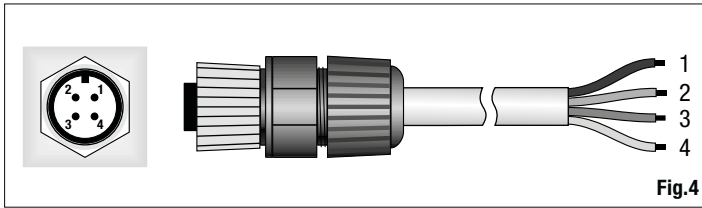


Fig.4

LP PYRA 10 - LP PYRA 13

Connector	Function	Color
1	Positive (+)	Red
2	Negative (-)	Blue
3	Case (↗)	White
4	Screen (↘)	Black

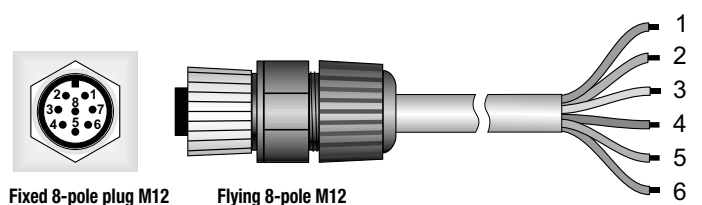
LP PYRA 10 AC- LP PYRA 13AC

Connector	Function	Color
1	Positive (+)	Red
2	Negative (-)	Blue
3	Case (↗)	White
4	Screen (↘)	Black

LP PYRA 10 AV- LP PYRA 13AV

Connector	Function	Color
1	(+) Vout	Red
2	(-) Vout and (-)Vcc	Blue
3	(+) Vcc	White
4	Screen (↘)	Black

CONNECTION SCHEME LP PYRA 10 S - LP PYRA 13 S



Fixed 8-pole plug M12

Flying 8-pole M12

Connector	Function	Color
1	Power supply negative (GND)	Blue
2	Power supply positive (+Vdc)	Red
3	Not connected	
4	RS485 A/-	Brown
5	RS485 B/+	White
6	Case	Shield (Black)
7	Not connected	
8	Not connected	

LP PYRA 10 S12 - LP PYRA 13 S12

Connector	Function	Color
1	Power supply negative (GND) SDI-12 output negative	Blue
2	Power supply positive (+Vdc)	Red
3	Not connected	
4	Not connected	
5	SDI-12 output positive	White
6	Case	Shield (Black)
7	Not connected	
8	Not connected	

- LP PYRA 10 and LP PYRA 13 are connected to a millivoltmeter or to a data acquisition system. Typically, the signal from the pyranometer does not exceed 20 mV. In order to take full advantage of the pyranometer, the recommended resolution of the reading instrument is 1µV.

An example of connection to a reading system is shown in Figure 6.

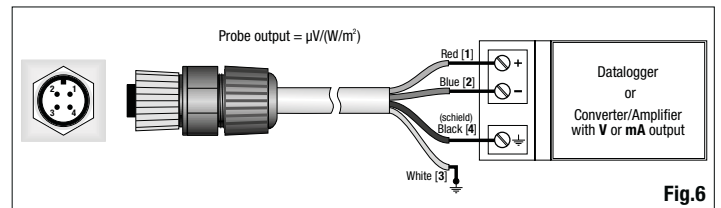


Fig.6

- LP PYRA 10 AC, LP PYRA 13 AC have to be connected to a power supply and a multimeter as shown below (Figure 7), resistance load for reading the signal must be ≤ 500 Ω:

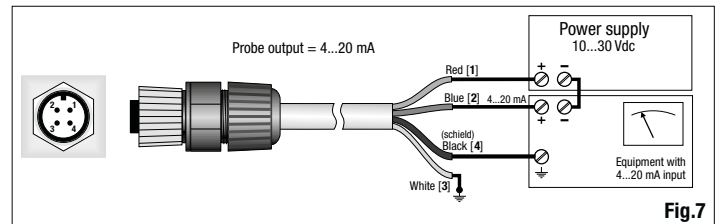


Fig.7

- LP PYRA 10 AV, LP PYRA 13 AV have to be connected to a power supply and a multimeter, as shown below (Figure 8), the load resistance for reading the signal must be ≥ 100 kΩ:

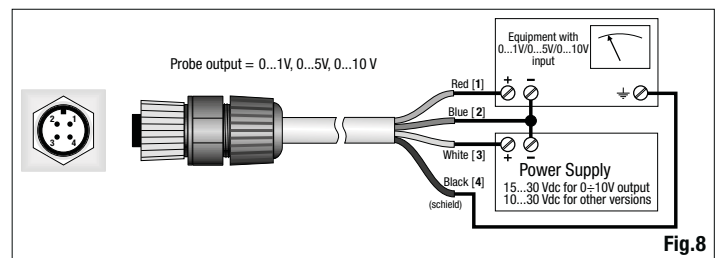
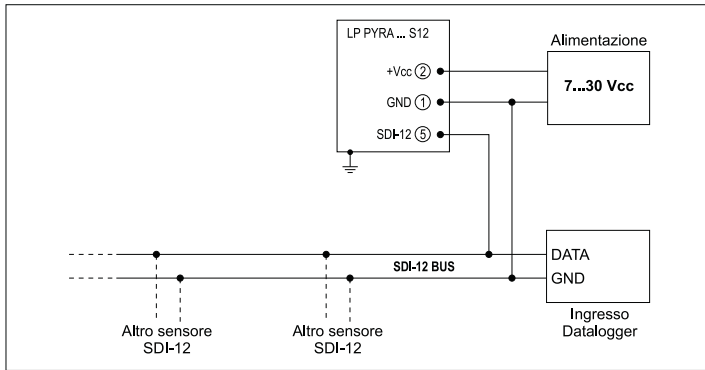
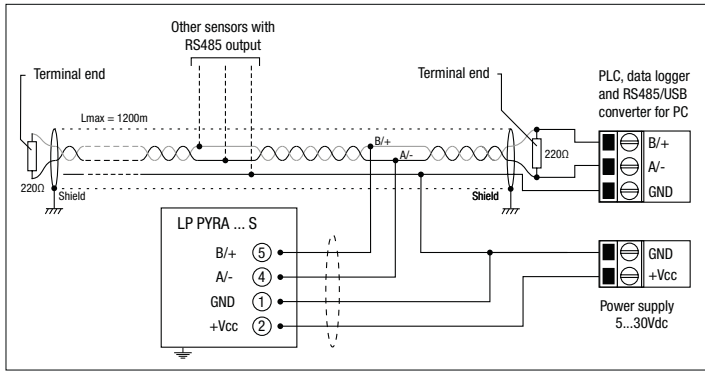


Fig.8



LP PYRA ... S and LP PYRA ... S12 have to be connected according to the following schemes:



Maintenance:

In order to ensure a high measurement accuracy, it is necessary to keep the external dome, so the higher the frequency of cleaning, the best measurement accuracy will be. Cleaning can be done with normal tissue for cleaning photographic objectives and water, if not possible, simply use pure ethyl alcohol. After cleaning with alcohol, it is necessary also to clean the dome again with water only.

Due to the high temperature fluctuations between day and night, it is possible that you get some condensation inside the pyranometer dome; in this case the reading done is strongly overestimated. To minimize condensation inside the pyranometer, a cartridge of Silica gel is placed inside the instrument. The efficiency of silica-gel crystals decreases over time with the absorption of moisture. When crystals of silica gel are efficient their colour is **yellow**, while when they gradually lose efficiency, their colour becomes **white/transparent**; to replace them, please refer to the instructions at paragraph Installation of pyranometers. Silica gel typically lifetime goes from 4 to 12 months according to the environmental conditions where the pyranometer is installed.

Calibration and measures:

LP PYRA 10, LP PYRA 13

The sensitivity of the pyranometer **S** (or calibration factor) allows to determine the global irradiance by measuring a volt signal at the end of the thermopile. The **S** factor is in $\mu\text{V}/(\text{Wm}^{-2})$.



LP PYRA 10

Once measured the potential difference (DDP) at the ends of the thermopile, the radiation E_e is obtained by the following formula:

$$E_e = \text{DDP}/S$$

where;

E_e : is the Radiation expressed in W/m^2 ,

DDP: is the difference of potential expressed in μV measure by a multimeter,

LP PYRA 10 AC, LP PYRA 13 AC

The sensitivity of the pyranometer is factory adjusted so that $4..20 \text{ mA} = 0..2000 \text{ W}/\text{m}^2$ (on request $0..4000 \text{ W}/\text{m}^2$). To get the value of radiation once the current (I_{out}) absorbed by the instrument is known, following formula has to be applied:

$$E_e = 125 \cdot (I_{\text{out}} - 4\text{mA})$$

where;

E_e : is the Radiation expressed in W/m^2 ,

I_{out} : is the current in mA absorbed by the instrument

LP PYRA 10 AV, LP PYRA 13 AV

The sensitivity of the pyranometer is factory adjusted, so as to have, depending on the version that has been chosen:

$0..1 \text{ V} = 0..2000 \text{ W}/\text{m}^2$ (on request $0..4000 \text{ W}/\text{m}^2$)

$0..5 \text{ V} = 0..2000 \text{ W}/\text{m}^2$ (on request $0..4000 \text{ W}/\text{m}^2$)

$0..10 \text{ V} = 0..2000 \text{ W}/\text{m}^2$ (on request $0..4000 \text{ W}/\text{m}^2$)

To obtain the value of irradiation, once the output voltage (V_{out}) of the instrument is known, following formula has to be applied:

$$E_e = 2000 [(W/m^2)/V] \times V_{\text{out}} [V] \text{ for the version } 0..1V (0..2000 \text{ W}/\text{m}^2)$$

$$E_e = 400 [(W/m^2)/V] \times V_{\text{out}} [V] \text{ for the version } 0..5V (0..2000 \text{ W}/\text{m}^2)$$

$$E_e = 200 [(W/m^2)/V] \times V_{\text{out}} [V] \text{ for the version } 0..10V (0..2000 \text{ W}/\text{m}^2)$$

where;

E_e : is the Radiation expressed in W/m^2 ,

V_{out} : is the output voltage (in Volts) measured with the voltmeter

Each pyranometer is individually factory calibrated and is distinguished by its calibration factor. To take full advantage of the LP PYRA 10 and LP PYRA 13 features, we recommend performing the calibration annually.

The instruments present in the metrology laboratory of Photo-Radiometry at Delta Ohm srl allows the calibration of the pyranometer according to the requirements of WMO, and ensures the traceability of measurements to international standards.

Specifications:

Typical sensitivity:

LP PYRA 10 - LP PYRA 13 10 $\mu\text{V}/(\text{W}/\text{m}^2)$

LP PYRA 10 AC - LP PYRA 13 AC 4..20 mA ($0..2000 \text{ W}/\text{m}^2$)

4..20mA ($0..4000 \text{ W}/\text{m}^2$) on request

LP PYRA 10 AV - LP PYRA 13 AV 0..1,5,10V ($0..2000 \text{ W}/\text{m}^2$)

0..1,5,10V ($0..4000 \text{ W}/\text{m}^2$) on request

Impedance: $5 \Omega \div 50 \Omega$

Measuring range: 0-4000 W/m^2

Field of view: $2\pi \text{ sr}$

Spectral range: 283 nm ... 2800 nm (50%)

Working temperature: $-40 \text{ }^\circ\text{C} \dots 80 \text{ }^\circ\text{C}$

Dimensions: figure 1

Weight: 0.90 Kg

Shadow ring of LP PYRA 13

Weight 5.90 Kg

Diameter of the ring 570mm

Height of the ring 54mm

Diameter of the base 300mm

Specifications according to ISO 9060

1- Response time: <6 sec (95%)

2- Off-set Zero:
a) response to a thermal radiation of $200 \text{ W}/\text{m}^2$: <7 W/m^2
b) response to a change of $5\text{K}/\text{h}$ in the room temperature: < $\pm 2 \text{ W}/\text{m}^2$

3a- Long-term instability: < $\pm 0.81 \%$ (1 year)

3b- Nonlinearity: < $\pm 0.51 \%$

3c- Response according to Cosine law: < $\pm 101 \text{ W}/\text{m}^2$

3d- Spectral selectivity: < $\pm 31 \%$

3e- Temperature response: < 2 %

3f- Tilt response: <0.51 %

PURCHASING CODE

- LP PYRA 10:** Secondary Pyranometer according to ISO 9060. Equipped with protection, silica-gel crystals cartridge, 2 recharges, level, 4-poles M12 connector and Report of Calibration ISO9001.
- LP PYRA 10 AC:** Secondary Pyranometer according to ISO 9060. Equipped with protection, silica-gel crystals cartridge, 2 recharges, level, 4-poles M12 connector and Report of Calibration ISO9001. 4...20mA current output signal (0...2000W/m²). 4...20mA (0...4000W/m² on request).
- LP PYRA 10 AV:** Secondary Pyranometer according to ISO 9060. Equipped with protection, silica-gel crystals cartridge, 2 recharges, level, 4-poles M12 connector and Report of Calibration ISO9001. Voltage 0..1Vdc, 0..5Vdc, 0..10Vdc output signal, to define when ordering (0...2000W/m²). 0..1V, 0...5V, 0...10V (0...4000W/m²) on request.
- LP PYRA 10 S:** Secondary Pyranometer according to ISO 9060. Equipped with protection, silica-gel crystals cartridge, 2 recharges, level, M12 8-pole connector and Report of Calibration. Connection cable CPM12-8D... with M12 connector with 2, 5 or 10m length have to be ordered separately. **Serial output RS485 MODBUS-RTU.** Power supply: 5...30Vdc.
- LP PYRA 10 S12:** Secondary standard pyranometer according to ISO 9060 supplied with shade disk, cartridge with silica-gel crystals, 2 spare sachets, levelling device and Calibration Report. SDI-12 output. Power supply 7÷30Vdc. On request 2, 5 or 10 m cables CPM12 8D... with 8-pole M12 connector.
- LP PYRA 13:** Secondary Pyranometer according to ISO 9060. Equipped with protection, shadow ring for diffuse radiation, silica-gel crystals cartridge, 2 recharges, level, 4-poles M12 connector and Report of Calibration ISO9001.
- LP PYRA 13 AC:** Secondary Pyranometer according to ISO 9060. Equipped with protection, shadow ring for diffuse radiation, silica-gel crystals cartridge, 2 recharges, level, 4-poles M12 connector and Report of Calibration ISO9001. 4...20mA current output signal (0...2000W/m²). 4...20mA (0...4000W/m²) on request.
- LP PYRA 13 AV:** Secondary Pyranometer according to ISO 9060. Equipped with protection, shadow ring for diffuse radiation, silica-gel crystals cartridge, 2 recharges, level, 4-poles M12 connector and Report of Calibration ISO9001. Voltage 0..1Vdc, 0..5Vdc, 0..10Vdc output signal, to define when ordering (0...2000W/m²). 0..1V, 0...5V, 0...10V (0...4000W/m²) on request.
- LP PYRA 13 S:** Secondary Pyranometer according to ISO 9060. Equipped with protection, shadow ring for diffuse radiation, silica-gel crystals cartridge, 2 recharges, level, M12 8-pole connector and Report of Calibration. Connection cable CPM12-8D... with M12 connector with 2, 5 or 10m length have to be ordered separately. **Serial output RS485 MODBUS-RTU.** Power supply: 5...30Vdc.
- LP PYRA 13 S12:** Secondary standard pyranometer according to ISO 9060 with shadow ring for measuring the diffuse radiation only. Supplied with shade disk, cartridge with silica-gel crystals, 2 spare sachets, levelling device and Calibration Report. SDI-12 output. Power supply 7...30Vdc. On request 2, 5 or 10 m CPM12 8D... cables with 8-pole M12 connector.

- CPM12 AA4.2:** 4-pole cable. Length 2m. 4-pole M12 connector on one end, open wires on the other side
- CPM12 AA4.5:** 4-pole cable. Length 5m. 4-pole M12 connector on one end, open wires on the other side
- CPM12 AA4.10:** 4-pole cable. Length 10m. 4-pole M12 connector on one end, open wires on the other side
- CPM12-8D.2:** Cable with 8-pole M12 connector on one end, open wires on the other side. Length 2 m. **Only for LP PYRA...S and LP PYRA...S12.**
- CPM12-8D.5:** Cable with 8-pole M12 connector on one end, open wires on the other side. Length 5 m. **Only for LP PYRA...S and LP PYRA...S12.**
- CPM12-8D.10:** Cable with 8-pole M12 connector on one end, open wires on the other side. Length 10 m. **Only for LP PYRA...S and LP PYRA...S12.**
- CP 24:** PC connecting cable for the RS485 MODBUS parameters configuration of the LP PYRA...S pyranometers. With built-in RS485/USB converter. 8-pole M12 connector on instrument side and A-type USB connector on PC side. Supplied with a CD-ROM including the USB drivers and a software for the Modbus connection to PC.
- HD 2003.85:** Mounting kit with adjustable height for the installation of the pyranometer on pole with diameter Ø 40 mm (HD2003.84 + HD2003.85 + HD2003.79)
- HD 2003.79:** Mounting kit pyranometer on clamping Ø 40mm (HD2003.77 + HD2003.79)
- HD 2003.77:** Clamping for mast Ø 40mm
- LP SP1:** Protective screen plastic UV resistant.
- LP S1:** Bracket positioning pyranometer LP PYRA 10, suitable for pole with a maximum diameter of 50mm.
- LP RING 02:** Base with levelling device and adjustable holder for mounting the LP PYRA 10 pyranometers in an inclined position.
- LP RING 04:** Adjustable holder for mounting the LP PYRA 10 series pyranometers in an inclined position on Ø 40 mm mast with internal thread.
- LP S6:** Kit for the installation of LP PYRA 10 pyranometers. The kit includes: 750 mm mast (HD2003.83.1), base fitting (LP S6.04), graduated support plate (LP S6.01), bracket for pyranometers (LP S6.03). On request, HD9007T29.1 bracket for HD9007 or HD32MTT.03.C.
- LP SG:** Cartridge containing silica gel crystals, complete with O-ring and cap.
- LP G:** Pack of 5 cartridges of silica gel crystals.

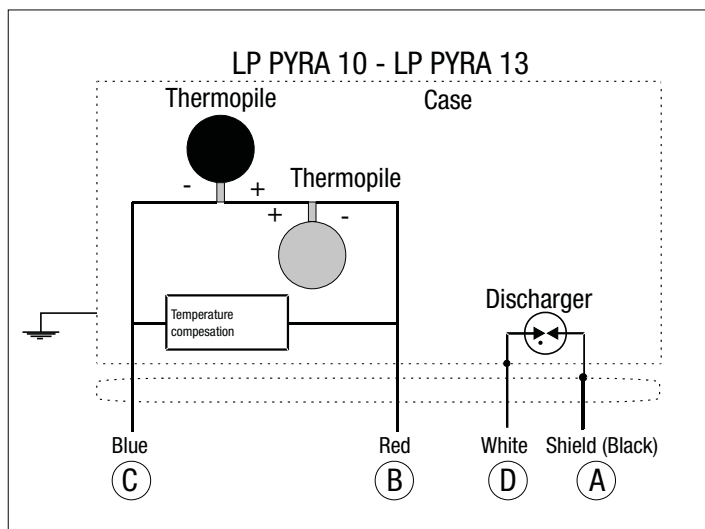
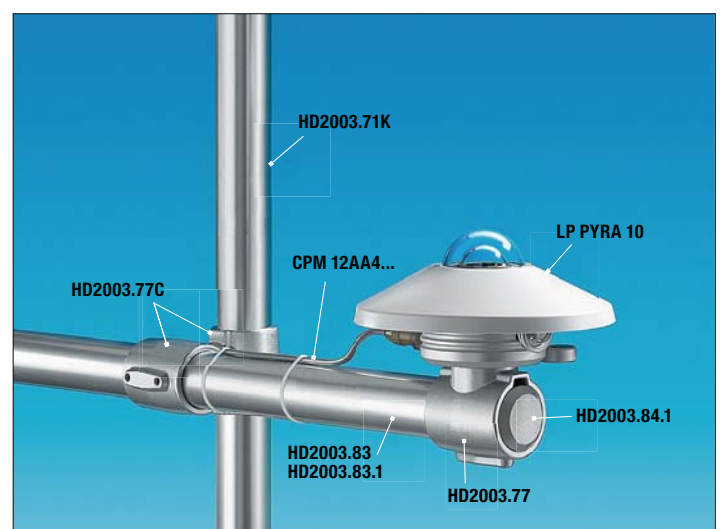


Fig.5



LP PYRA 10 + HD2003.77C + HD2003.77